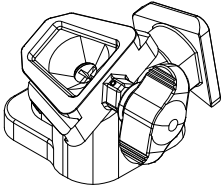




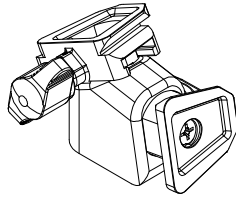
## Technical Data Sheet

### 1837010 Dual Dovetail Adapter with true horizontal adjustment for PVS 14 NVG's ( USA PAT# 8238045 )

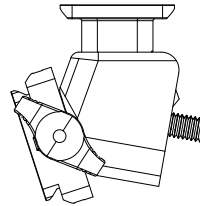
The DDA-THA is furnished with 1 dovetail with a built in THA; (true horizontal adjustment) for user's dominant eye and 1 fixed dovetail



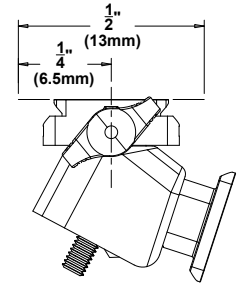
As shipped horizontal adjust configured for right eye



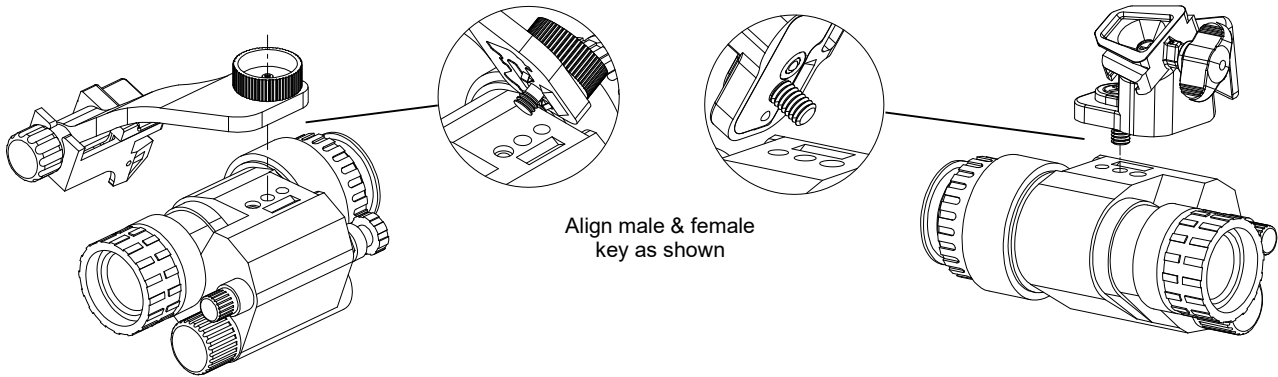
Using standard issue Gerber or similar tool horizontal adjust easily configured for left eye



1837010 Dual Dovetail Adapter with true horizontal adjustment DDA-THA



True horizontal adjustment



Align male & female key as shown

1. Remove standard J Arm

### Installation Instructions

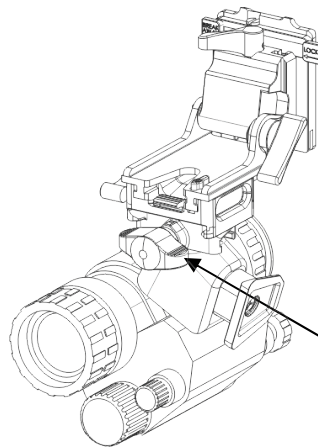
2. Using Philips screw driver or standard issue Gerber Tool attach Dual Dovetail Adaptor as shown

1. Rugged and durable uni-body design with integrally sealed shut-off mechanism.

2. Anti-bounce auto shut-off feature will not allow goggles to turn off inadvertently.

3. Contact seal provides protection from Electrical shorting and unwanted goggle shut-off in wet conditions.

4. Adaptor comes configured for both eyes and horizontal adjust can be easily changed for right or left eye usage.



P/N 1837010  
Dual Dovetail Adaptor  
Shown Mounted to PVS 14  
NVG's and Lo-Sto HMA  
For right eye usage

True horizontal adjustment knob control

### USA & INTERNATIONAL PATENTS ISSUED

**PROPRIETARY NOTICE** This document is the trade secret/confidential property of NOROTOS, INC. and is conveyed with the express condition that the proprietary information and data contained in it are not to be used, disclosed, or reproduced in whole or in part for any purpose with out the express written consent of NOROTOS, INC. No right is granted by NOROTOS, INC. to disclose it to others or to use any information contained in said data to replicate or manufacture our products, other than by our express written direction.