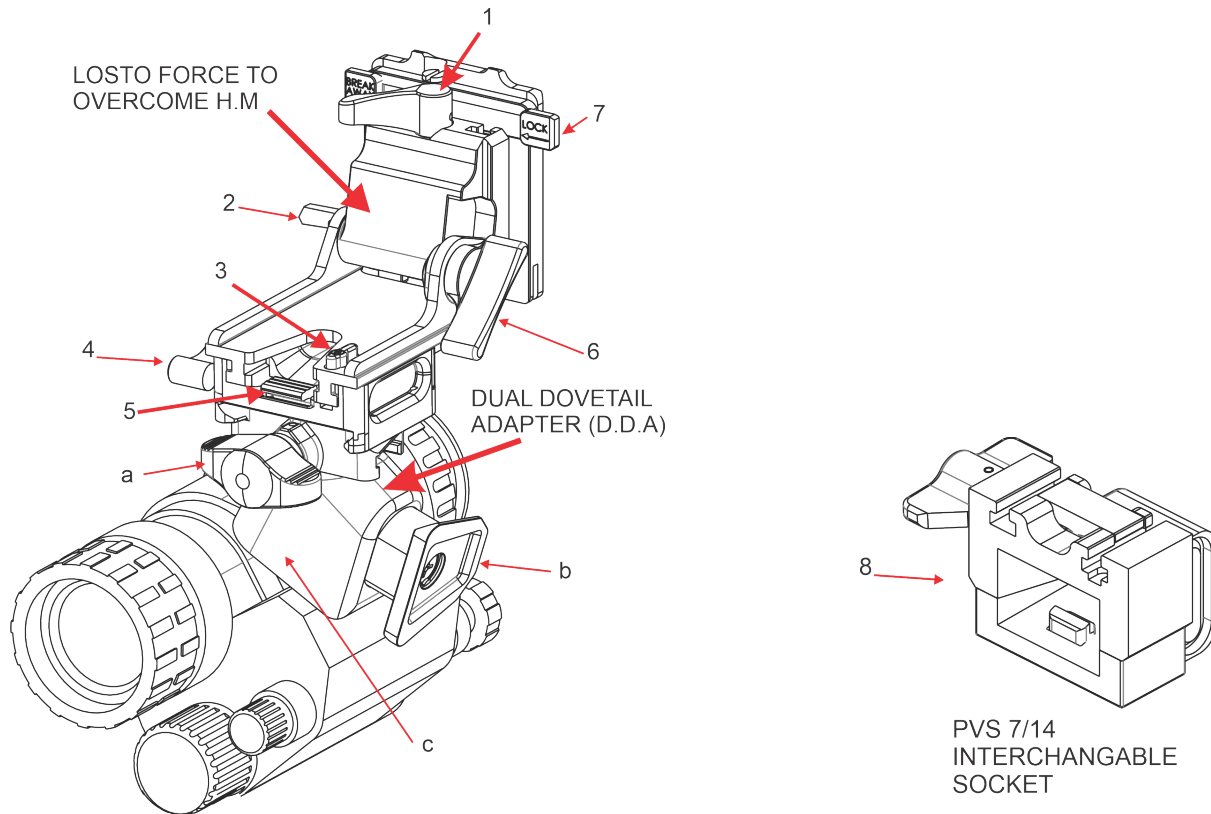


## Technical Data Sheet Lo-Sto Helmet Mount F.T.O. (1962010) With Dual Dovetail Adapter (1837010)



### PRODUCT SPECIFICATIONS

#### **Losto FTO Helmet Mount: (also available in Push Button stow P.N: 1960010)**

1. Vertical adjustment lever allows NVG vertical height to be easily adjusted, and securely locked.
2. Release Button: Allow one handed release from mounting bracket or shroud.
3. Socket release button for “quick change” from dovetail to socket or custom.
4. Fore/Aft Lever; allows for fore/aft travel of the goggle. Releasing the lever allows the operator to set the fore/aft position of the NVG.
5. Release button: press to remove your NVG device from interface.
6. Tilt Adjustment: Use to adjust the tilt of your NVG.
7. Break Away Button; allows user to set the desired mode for mount (Breakaway or locked) depends on user operational needs. \*Optional\*.
8. Interchangeable option: Dovetail style PVS 15/18/21 (shown on mount), or Horn Style PVS 7/14.

#### **Dual Dovetail Adapter (DDA):**

- a. True horizontal adjust and lock with simple twist on the lever.
- b. Connect seamlessly to PVS 14 goggle for use on right eye or left eye.
- c. Sealed auto shutoff when flip up into stow mode.