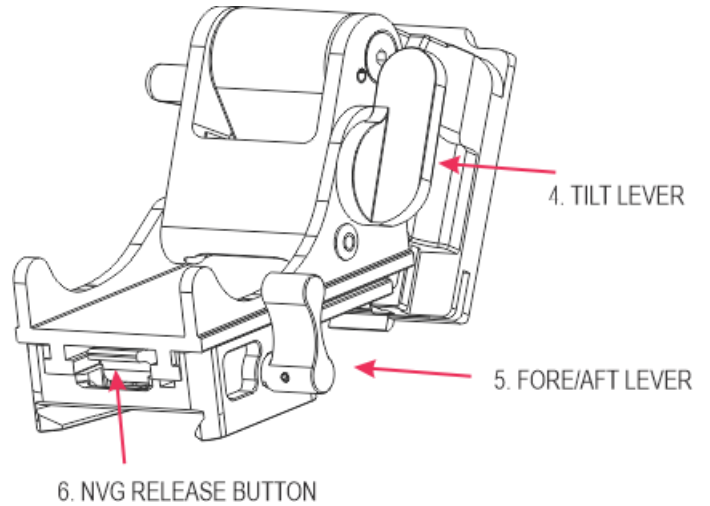
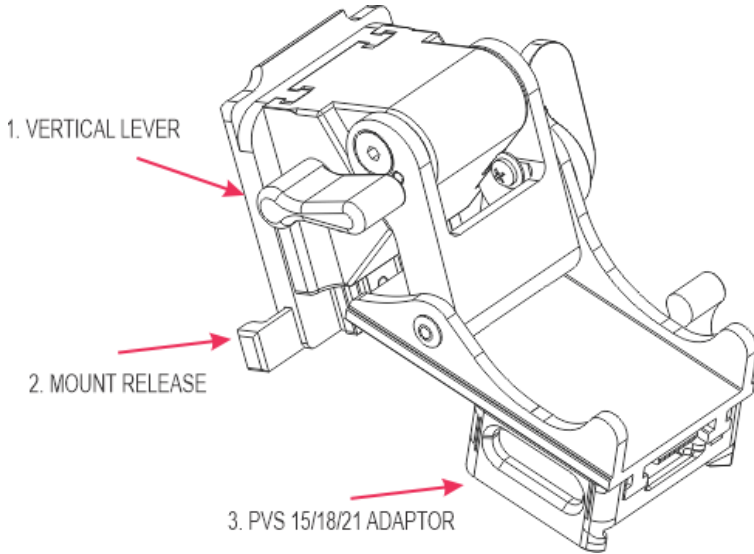




**Technical Data Sheet
RHINO II D Helmet Mount Norotos # 1950010-D**



PRODUCT SPECIFICATIONS

- 1. Vertical Adjustment Lever; allows NVG vertical height to be easily adjusted and then locked securely.
- 2. Release Button: Allows one handed release from Helmet Bracket or Shroud.
- 3. Universal Mount Adaptor will accommodate the Dovetail style PVS 15, 18 & 21 Night Vision Goggles.
- 4. Tilt Adjustment Lever; allows the operator to fine adjust the tilt angle of the NVG.
- 5. Fore/Aft Lever; allows for fore/aft travel of the goggle. Releasing the lever allows the operator to set the fore/aft position of the NVG.
- 6. Release Lock Lever; allows the operator to release the NVG from the mount.

SPECIFICATIONS

Dimensions (Operational):	3.00" L x 2.45" W x 2.50" H
Weight:	166g
Material Construction:	Light Weight Aluminum, stainless steel and high strength Polyamide
Accommodates:	Dovetail Style NVGs
Vertical Travel	1.20" min.
Fore/Aft Travel	1.20" min.
Tilt Range of 21°	Upward: 16°, Downward: 5°

PROPRIETARY NOTICE: This document is the trade secret/confidential property of NOROTOS, INC. and is conveyed with the express condition that the proprietary information and data contained in it are not to be used, disclosed, or reproduced in whole or in part for any purpose with out the express written consent of NOROTOS, INC. No right is granted by NOROTOS, INC. to disclose it to others or to use any information contained in said data to replicate or manufacture our products, other than by our express written direction.