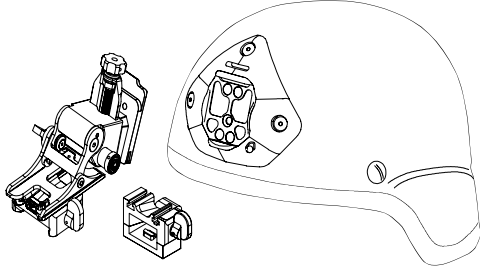


NOROTOS NIGHT VISION AKA 2 HELMET MOUNT SYSTEM

For
MICH, ACH, CVC, LWH, PASGT
& other Helmets



**AKA 2
Helmet Mount Assembly**
Norotos Assembly Part No. 1841010

TABLE OF CONTENTS

Assembly & Part Numbers	Pg 3
Converting Helmet Mount from PVS 7 & 14 to PVS 15, 18 & 21	Pg 4
Adjustments, Controls & Use of the Helmet Mount	Pg 5
Socket Attachments	Pg 6
Helmet Mount Flip Up/Flip Down	Pg 7
Shroud Mounting Options	Pg 8
Shroud Mounting Instructions	
Option 1: 1 hole helmet	Pg 9
Option 2: 3 hole helmet	Pg 10
Shroud, Strap Assembly & Front Clips	Pg 11
Option 3: 1 or 3 Hole & Strap Assy	Pg 12
Option 4: Front Clips & Strap Assy	Pg 13
Helmet Mount Attachment to Shroud	Pg 14
Helmet Mount Release from Shroud	Pg 15
Preventative Maintenance, Acronyms & Abbreviations	Pg 16

Norotos, Inc.

201 EAST ALTON AVENUE
SANTA ANA, CA. 92707
Phone: 714-662-3113
Fax: 714-662-7950
E Mail: info@norotos.com
www.norotos.com

Norotos, Inc. 1841 Mod Uni OpManual 3-09

NOROTOS DESCRIPTION & PART NUMBERS

COMPLETE AKA 2 HELMET MOUNT ASSEMBLY:

PART NUMBERS, ASSEMBLY & INDIVIDUAL

HELMET MOUNT & SHROUD ASSEMBLY: [Complete Helmet Mount & Shroud]

Norotos Assembly Part No. 1841010

HELMET MOUNT: AKA2 Helmet Mount

Norotos Part No. 1840010

Helmet Mount Sockets [Refer to Page 6]

PVS 15, 18 & 21 Norotos Part No. 1840002

PVS 7 & 14 Norotos Part No. 1840003

SHROUD: [Front Bracket] Universal Mounting Shroud

Norotos Part No. 1817010

Lanyard Break Away Attach Point Hardware

Norotos Part No. 1817016

STRAP ASSEMBLY: Adjustable Straps, Front & Rear Clips

[less Helmet Mount & Shroud]

Norotos Part No. 1835010-1

CONVERTING THE AKA 2 HELMET MOUNT FROM PVS 15, 18 & 21 TO PVS 7 & 14

- AKA 2 Helmet Mount with socket for PVS 15, 18 & 21
- Remove & Replace Socket.

To change from one socket to another:

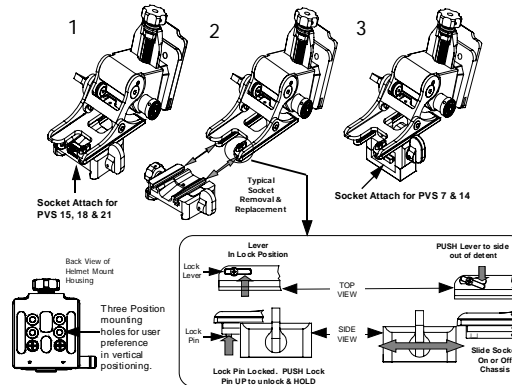
Push the Lock Pin up until Lock Lever is out of detent & Hold.

Push the Lever to the side.

User is free to remove one socket and attach another.

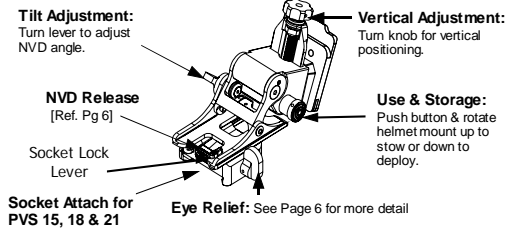
When complete, Return the lever back to lock detent.

- AKA 2 Mount with socket for PVS 7 & 14 or other optional Socket.

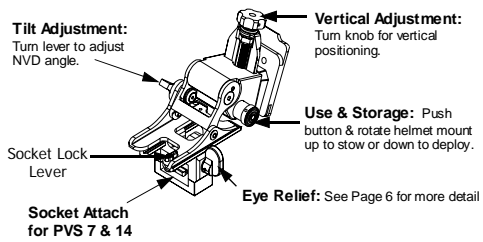


**ADJUSTMENTS, CONTROLS & USE
OF THE AKA 2 HELMET MOUNT**

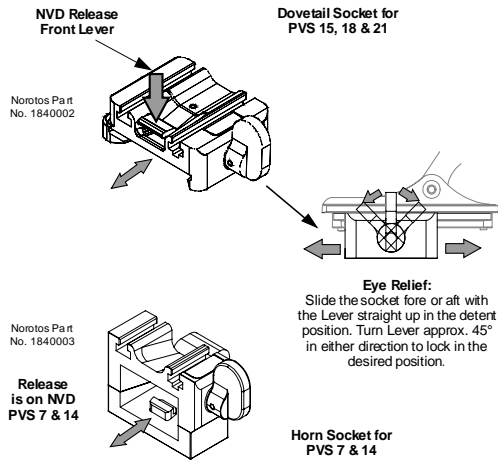
Mount for PVS 15, 18 & 21



Mount for PVS 7 & 14

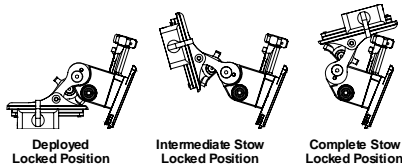


**AKA 2 HELMET MOUNT SOCKET
ASSEMBLIES FOR PVS 7, 14, 15, 18 & 21**



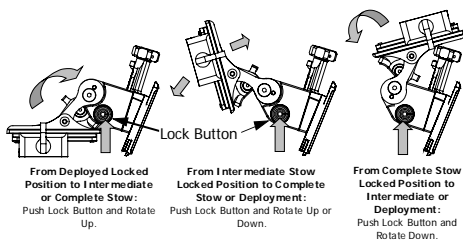
**ADJUSTMENTS, CONTROLS & USE
OF THE HELMET MOUNT**

Safety Flip Up/Down Locking System: Three locking positions for Deployment, Intermediate Stow & Complete Stow.



Operation of Flip Up/Down Locking System:

- 1] Push Lock Button.
- 2] Rotate to desired position.
- 3] Release Lock Button.



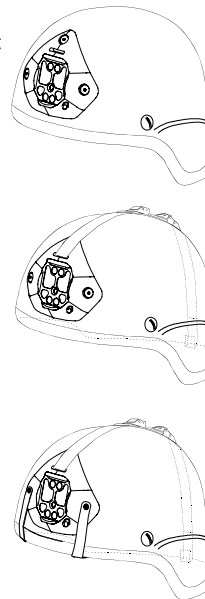
SHROUD MOUNTING OPTIONS

Option 1
Mounting to 1 Hole helmet using existing 1 hole.

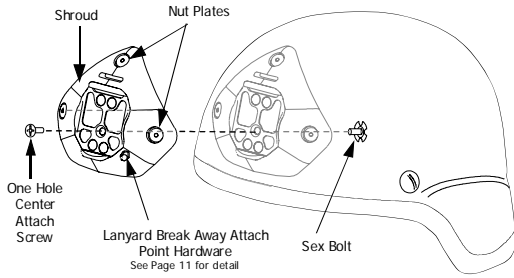
Option 2
Mounting to 3 Hole helmet using existing 3 holes.

Option 3
Mounting to 1 or 3 Hole helmet using existing 1 or 3 holes & Strap Assembly with Rear Clip.

Option 4
Mounting using Front Clip, Strap Assembly with Rear Clip.
[Using No Attach Holes]



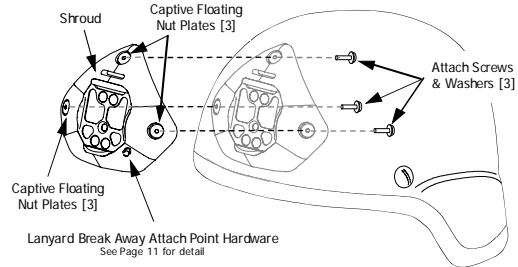
Option 1: SHROUD INSTALLATION ON THE 1 HOLE HELMET



One [1] Hole Shroud Installation:

- 1] Remove 3 pre-installed screws & washers from the shroud. [for 3 holes use only, see page 10].
- 2] From the inside of the helmet, insert the Norotos supplied sex bolt into the hole in the helmet.
- 3] From the outside of the helmet, line up the bracket hole with the helmet hole.
- 4] Place the Norotos supplied screw thru the shroud into the sex bolt in the helmet.
- 5] Slowly tighten the screw as you seat and align the shroud to the helmet contour. Finish tightening when seated and aligned.
- 6] Check periodically and re-tighten as required.

Option 2: SHROUD INSTALLATION ON THE 3 HOLE HELMET

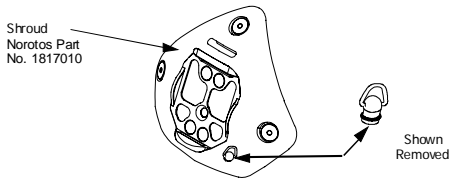


Three [3] Hole Shroud Installation:

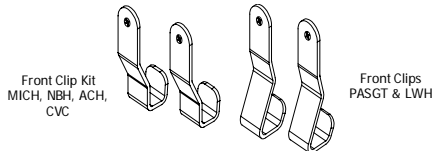
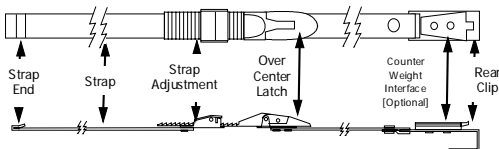
- 1] Remove the 3 pre-installed screws & washers from the shroud.
- 2] Install one [1] of the Norotos supplied screw with washer thru the top hole from inside the helmet into the top Floating Nut Plate in the Shroud [helmet bracket].
- 3] Align and Install the other two [2] screws with washers thru the holes from the inside of the helmet into the Floating Nut Plate. **Note: The Floating Nut Plates are designed to move to accommodate minor differences in the helmet hole pattern.**
- 4] Slowly tighten the screws as you seat the shroud [helmet bracket] to the helmet contour. Finish tightening as required when seated and aligned.
- 5] Check periodically and re-tighten as required.

SHROUD AND STRAP ASSEMBLY

Universal Shroud Norotos Part No. 1817010
Lanyard Break Away Assembly Norotos Part No. 1817016

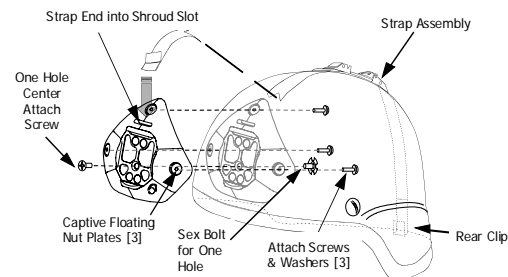


Adjustable Straps, Front & Rear Clips, Optional Counter Weight Fitting Interface. Norotos Assembly Part No. 1835010-1



Option 3: SHROUD & STRAP ASSEMBLY ATTACHMENT TO A 1 OR 3 HOLE HELMET

Universal Shroud Norotos Part No. 1817010
Adjustable Strap & Clip Assembly Norotos Part No. 1835010-1

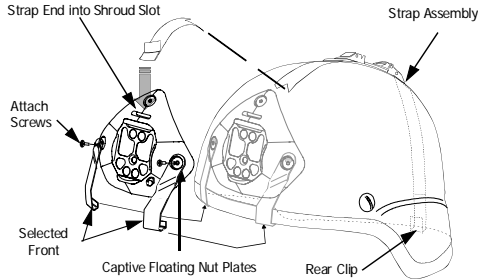


**One [1] Hole Shroud Installation Refer to Page 9.
Three [3] Hole Shroud Installation Refer to Page 10.**

- 1] Remove the 3 pre-installed screws & washers from the shroud.
- 2] Insert the Strap End into the shroud and pull tight to confirm the strap is locked into the shroud. Locating the rear clip on the back of the helmet, lay the strap assembly on the center line of the helmet.
- 3] Install One Hole or Three Hole Attachments per Page 9 or Page 10
- 4] Slowly tighten the screw[s] as you seat the shroud [helmet bracket] to the helmet contour. Finish tightening as required when seated and aligned.
- 5] Adjust the Strap Assembly as required
- 6] Check periodically and re-tighten as required.

Option 4: SHROUD INSTALLATION ON A NO HOLE HELMET

Universal Shroud Norotos Part No. 1817010
Adjustable Strap & Clip Assembly Norotos Part No. 1835010-1



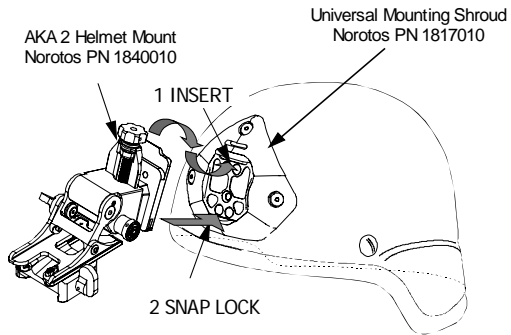
Shroud, Front Clips & Strap Assembly Attachment:

- 1] Remove 3 pre-installed screws & washers from the shroud. [for 3 holes use only, see page 10].
- 2] Attach the Selected Front Clips to the Shroud with the two Norotos supplied screws. A small coin or similar maybe used to prevent nut plate from spinning during final tightening.
- 3] Insert the Strap End into the shroud and pull tight to confirm the strap is locked into the shroud.
- 4] Lay the strap Assembly on the centerline of the helmet placing the rear clip on the back of the helmet.
- 5] Adjust the strap as required to hold the complete assembly firmly in place. Re-tightening over a period of time may be required.

HELMET MOUNT ATTACHMENT TO THE UNIVERSAL MOUNTING SHROUD

Helmet Mount Attachment:

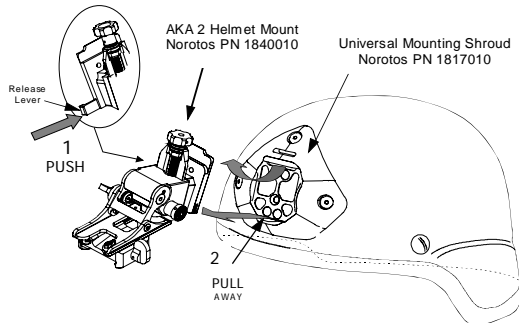
- 1] Push the top of the helmet mount into the top of the bracket shroud.
- 2] Push the bottom of the mount into the bracket shroud until it snaps locks in the bottom.



HELMET MOUNT RELEASE FROM THE UNIVERSAL MOUNTING SHROUD

Easy & Safe Disconnect:

- 1] Push the Mount Release Lever on the bottom of the mount.
- 2] Pull the bottom of the mount away from the helmet.



PREVENTATIVE MAINTENANCE & CLEANING

Check all adjustments and moveable assemblies for full operational use.

Check for foreign material binding any adjustments. Remove foreign material and clean as necessary.

Check for foreign material in NVD mounting location area. Clean out the attach area using any small thin object or small brush as necessary.

Clean Helmet Mount / Shroud thoroughly using a cloth rag, brush and or mild hand soap and water as necessary. Allow to air dry.

ACRONYMS & ABBREVIATIONS

- MICH-Modular Integrated Communication Helmet
- ACH- Advanced Combat Helmet
- CVC-Combat Vehicle Crewman
- LWH- Light Weight Helmet
- PASGT-Personal Armor System Ground Troop
- NVD-Night Vision Device